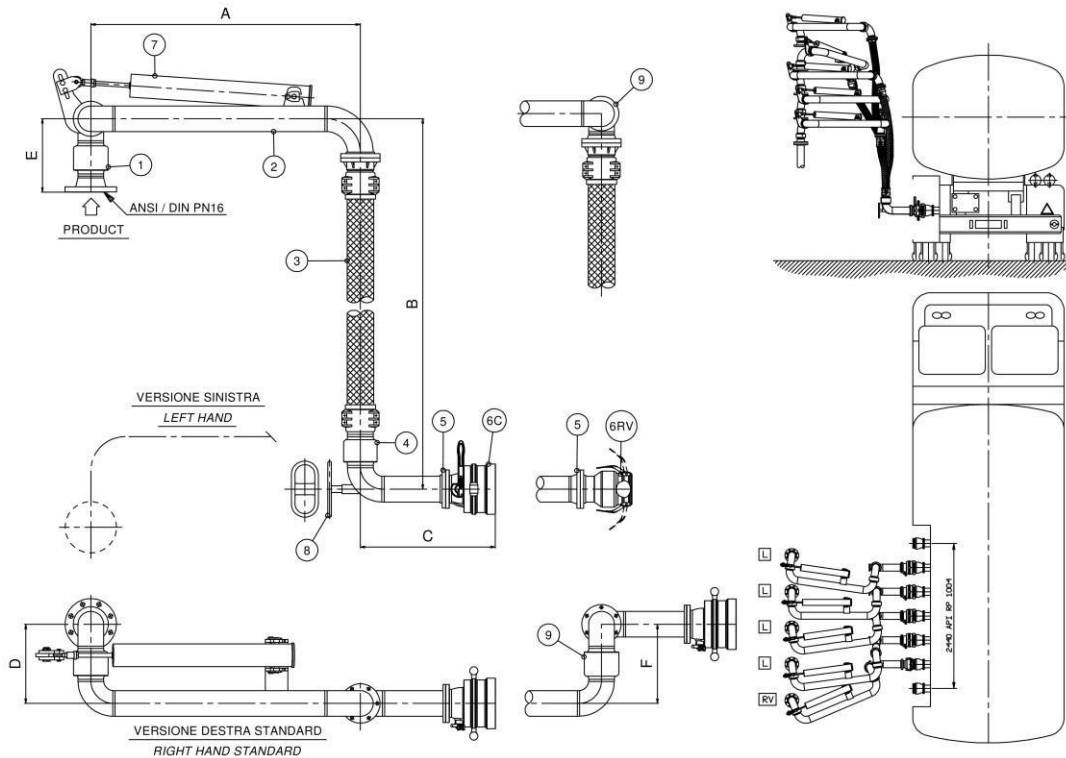




**INFILTEK**

# Single Range Bottom Loading/Vapour Recovery Arm 750/740 Model with Vertical Flexible Hose



### Operating Conditions

Design Pressure	10.0 Bar G
Test Pressure	15.0 Bar G
Design Temperature	-15° C / +65° C -40° C / +65° C

Seal Material	VITON PTFE Special VITON (**)
---------------	-------------------------------------

Flow Rate	3"-75 mc/h Max 4"-150 mc/h Max
-----------	-----------------------------------

### Standard Dimensions

Dn.	3"	4"
A	900/1800	900/1800
B	2500/4000	2500/4000
C	650	650
D	296	353
E	289	328
F	296	353
Weight	90	120

### Notes

- (\*) Swivels 2174 Mod. installed on 750 Mod. loading arms
- Swivels 2004 Mod. installed on 740 Mod. loading arms

### Options

- Additional swivel pos.9
- Safety breakaway coupler OMC 4222 Model
- Check valve 2141 Model
- Proximity switch to signal coupler connected
- Locking device arm in parking position C-3784
- Sight glass 2424 Model
- Standpost
- (\*\*\*) Suitable for BIO-Products or low temperature
- NDT test (X-Ray-LP-MT) available on request

### N. Description

- |     |                                     |
|-----|-------------------------------------|
| 1   | Style 50 double swing joint         |
| 2   | Tube assembly                       |
| 3   | Flexible hose with safety collars   |
| 4   | Style 30 swivel elbow               |
| 5   | T.T.M.A. flange                     |
| 6C  | Dry-disconnect coupling             |
| 6RV | Vapour return coupler               |
| 7   | Spring balancing cylinder           |
| 8   | Handle                              |
| 9   | Style 40 additional swivel (Option) |

### Dwg/Mod

- |            |
|------------|
| 2174 (*)   |
| 2004 (*)   |
| .          |
| 2175       |
| .          |
| OMC C-3659 |
| OMC C-3682 |
| 05182      |
| .          |
| 2174 (*)   |
| 2004 (*)   |

